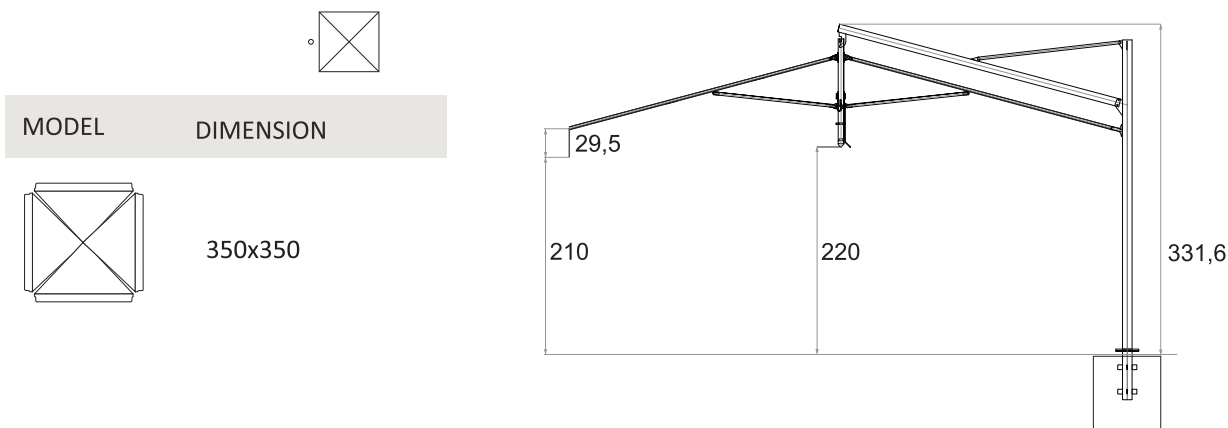


## Single



## Frame

**Frame** 100% high quality aluminium with combinations of steel components and with minimum plastic parts included. Main mast is made of steel.  
Standard colour WHITE - Powder coated RAL 9016  
Wood imitation and other colours available on request

**Ribs** 100% high quality aluminium (without steel profiles)  
Diagonal rib profiles are 40x20/3x1,5mm - providing extra strenght  
Middle and supporting ribs are 30x20/1mm

**Plastic parts** Extremely strong connectors, fabric tensioner and 4 crowns providing additional strength - polymer material ABS and polypropylene

## Fabric

**Fabric** "ENDURANCE" - woven 100% polyester fiber / 100% Solution Dyed Acrylic fiber

**Weight** 300 g/m<sup>2</sup>

**Panels** 4 panels

**Valances** 4 valances - 29,50 cm (as option)

**Attachment to frame** Plastic pockets - "tensioner" - providing strong grip between fabric and frame possibility of regulation of cloth tension, easy replaceable at the same time.

**Design** According to artwork provided by client

**Printing** Industrial screen printing, pigmented colors, double side printing effect

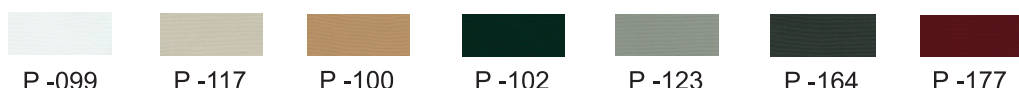
**UV resistance** 7 according to ISO standard (1-8)

**Finishing** Water repellent, Water resistant, Pollution resistant, Antifungal

**Colours** Standard colours (Polyester):



Standard colours (Acrylic):



Other colours available on request

## Ventilation



singel roof